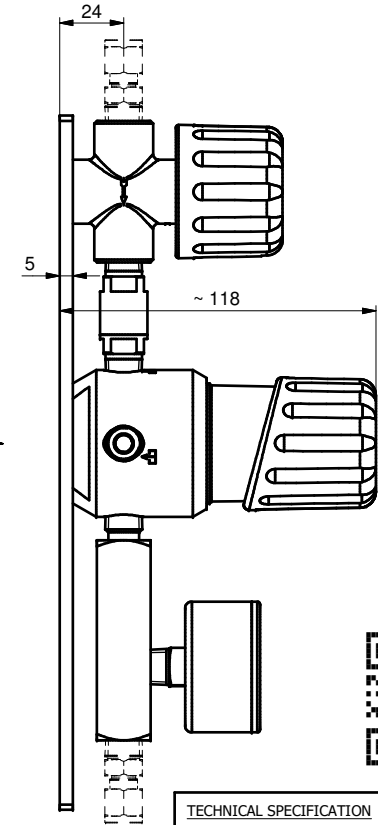
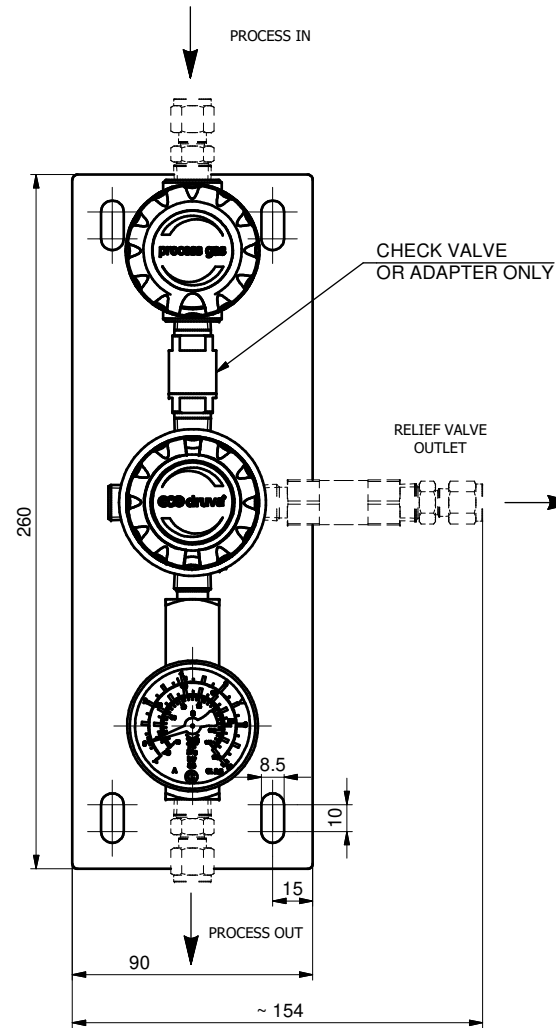
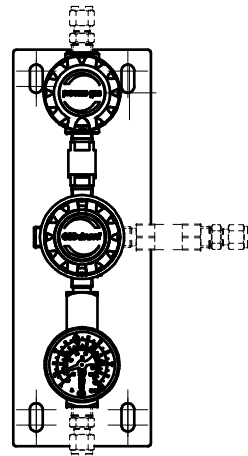
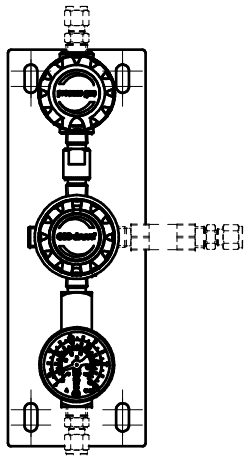


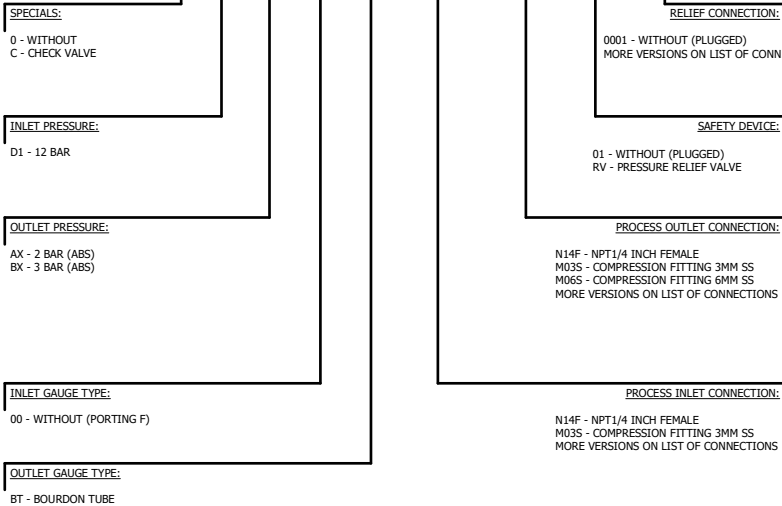
SPECIAL - 0

SPECIAL - C



ORDERING INFORMATION

PSLAVFT X XX XX XX XX XXXX XXXX XX XXXX



LIST OF CONNECTIONS

- N14F - NPT1/4 INCH FEMALE
- M03S - COMPRESSION FITTING 3MM SS (NOT FOR RELIEF CONN.)
- M06S - COMPRESSION FITTING 6MM SS
- M08S - COMPRESSION FITTING 8MM SS
- M10S - COMPRESSION FITTING 10MM SS
- M12S - COMPRESSION FITTING 12MM SS
- IX2S - COMPRESSION FITTING 1/8" SS
- IX4S - COMPRESSION FITTING 1/4" SS
- IX6S - COMPRESSION FITTING 3/8" SS
- IX8S - COMPRESSION FITTING 1/2" SS
- H04S - HOSE NOZ MET 4.8 MM SS (NOT FOR INLET AND RELIEF CONN.)
- H06S - HOSE NOZ MET 6.4 MM SS (NOT FOR INLET AND RELIEF CONN.)
- H08S - HOSE NOZ MET 8.0 MM SS (NOT FOR INLET AND RELIEF CONN.)

HOSE NOZZLE MAX. 15 BAR



TECHNICAL SPECIFICATION

MATERIAL OF GAS WETTED PARTS:  
 REGULATOR BODY: STAINLESS STEEL (1.4404)  
 REGULATOR DIAPHRAGM: HASTELLOY (C276)  
 REGULATOR SEAT: PCTFE  
 REGULATOR SEAT: FKM  
 REGULATOR POPPET: STAINLESS STEEL (1.4404)  
 RELIEF VALVE SEAT: FKM

INLET PRESSURE: MAX.12 BAR  
 FLOW NOMINAL: 3 Nm3/h (N2)  
 ACC. TO ISO 7291 AT 3 BAR ABS OUT

GAS TYPE  
 DEFINED BY PRODUCT LINE AND TYPE  
 (CHECK APPROVED GAS TYPE IN DATASHEET)

SST LINE:  
 INCLUDED CORROSIVE GASES  
 INCLUDED TOXIC GASES

EXAMPLE: PSLAVFT0D1AX00BTM06SM06SRVM06S

Polotovár Raw material Materiál Material	Rozměr polotovaru Dim. of raw material Materiál Material	Povrchová úprava Surface finish Starý výkres Old drawing	Hmotnost Weight 2.24 kg
Komentář Notice	Opracování / Machining Ra	Kritický rozměr značen Critical dimension marked KR	List / Počet listů Sheet / Number of sheets 1 / 2
Datum vypracování Creation date 14.1.2022 Vypracoval Created Chadim	Měřítko / Scale 1:2	Netol. rozměry / Dim. without tol. ISO 2768 m,K -0,1 -0,3 +0,3 +0,1	POU SST LINE LOW FLOW AV POU SST 003Q AV
Kontrolní Inspected L. Ondráček			GCG
Schválil Approved Dr. Thorsten Küster			PSLAVFT
Klasifikace Item Class B: Standard			